

Daylight Par 1200W

SPECIFICATIONS

Capacity	1,200W
Voltage	220-240V
Protective Lens Dia.	265mm(10-3/8 in.)
Par Lens Dia.	250mm(10 in.)
Weight(w/o barndoor)	12.7kg
Weight(w/ barndoor)	14.4kg
Lamp Type	1200W SE 5600°K
Lamp Holder	G38
Stirrup	28mm(1-1/8 in.) spigot
Class / IP Rating	I / 23
Max. Surface Temp.	140°C
Max. Ambient Temp.	45°C
Min. Distance to Illuminated Object	4m
Min. Distance to Flammable Object	0.5m
Operating Range	45° - 0° - 45°



Daylight Par 1200W

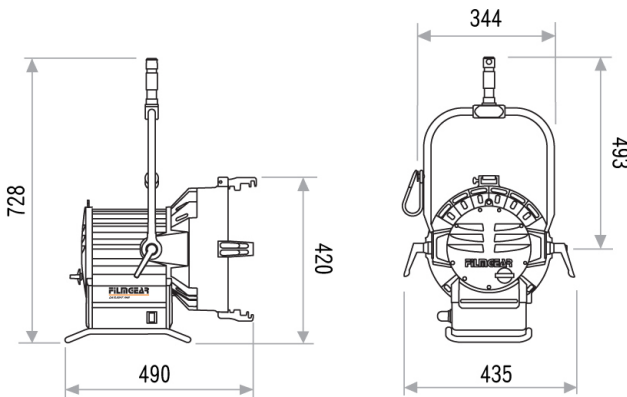
PHOTOMETRIC DATA

1200W Bulb		Spot 8°	Medium Flood 10° x 20°	Wide Flood 20° x 45°	Super W.Flood 40°	Frosted S.Flood 38°
6m	Lux Beam ø	46151 0.84m	17885 1.05 x 2.12m	5513 2.12 x 4.97m	3066 4.37m	2281 4.13m
9m	Lux Beam ø	20512 1.26m	7949 1.57 x 3.17m	2450 3.17 x 7.46m	1363 6.55m	1018 6.20m
12m	Lux Beam ø	11538 1.68m	4471 2.10 x 4.23m	1378 4.23 x 9.94m	767 8.74m	570 8.27m

PACKAGE CONTENTS

- Aluminium lamp housing with
- 4-leaf rotatable barndoor with safety wire
- 265mm(10-3/8 in.) protective lens
- Set of 5 par lenses 250mm(10 in.) with frames
- Lens case
- G38 lampholder
- Igniter
- Cable with multipin connector
- Stirrup with 28mm(1-1/8 in.) spigot

DIMENSIONS(mm)



ACCESSORIES (Optional)

- 1.2kW/575W Electronic ballast
- 1.2kW/575W Electronic ballast with PFC
- 1.2kW/575W Electronic ballast with PFC and DMX
- Head to ballast cable 7m(23ft.)
- Head to ballast cable 15m(49ft.)
- 4-leaf rotatable barndoor
- Set of 5 par lenses 250mm(10 in.) with frames :
 - Spot lens
 - Medium flood lens
 - Wide flood lens
 - Super wide flood lens
 - Frosted super flood lens
- Lens case
- Set of 4 scrims 330mm(13 in.):
 - Full Single Scrim
 - Full Double Scrim
 - Half Single Scrim
 - Half Double Scrim
- Carrying bag for 330mm(13 in.) scrim set
- Safety wire